

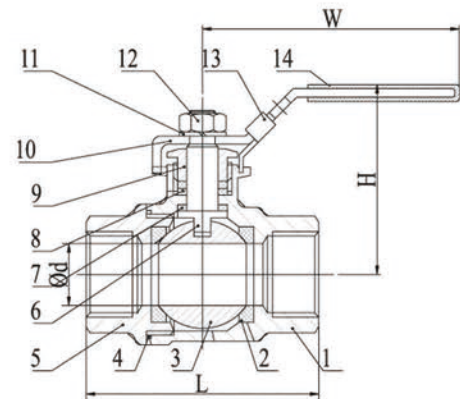
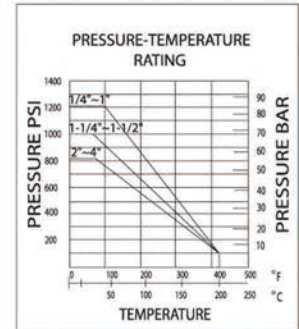
SP2PBSP/NPT/VENTED

- SS316
- Investment Castings For Body And Cap
- Internal Entry Blow-Out Proof Stem
- Pressure Rating: 1000PSI (PN63)
- Threaded Ends: ANSI B2.1, BS 21, DIN 259/2999
- Material: CF8M, CF8, CF3M, WCB
- Pressure Test : API 598



MATERIAL LIST

ITEM	PART	MATERIAL	QTY
1	BODY	CF8M	1
2	BALL SEAT	PTFE	2
3	BALL	CF8M	1
4	BODY GASKET	PTFE	1
5	CAP	CF8M	1
6	STEM	SS316	1
7	THRUST WASHER	PTFE	1
8	STEM PACKING	PTFE	2
9	GLAND NUT	SS304	1
10	HANDLE	SS304	1
11	WASHER	SS304	1
12	NUT	SS304	1
13	LOCK DEVICE	SS304	1
14	HANDLE COVER	PLASTIC	1



DIMENSION TABLE

SIZE	d	L	H	W	N.M	KGS
1/4"	12.5	50	49	106	4	0.19
3/8"	12.5	50	49	106	4	0.19
1/2"	15	56	51	104	5	0.26
3/4"	20	66	58	116	8	0.41
1"	25	79	73	148	10	0.66
1-1/4"	32	91	79	148	14	1.00
1-1/2"	38	99	85	182	25	1.30
2"	50	121	95	182	40	2.10
2-1/2"	65	147	126	252	48	3.83
3"	76	173	138	252	80	5.74
4"	94	222	158	283	103	10.70